

*Door
WR*

**PROPOSED REMODELING,
UPPER LEVEL**
SCALE: 1/8" = 1'-0"

----- REMOVE EXISTING WALLS
===== NEW WALLS

REVISED 6/24/98
REVISED 6/18/98
REVISED 6/11/98

**GREEN BAY
EDUCATION ASSOCIATION**
GREEN BAY, WISCONSIN

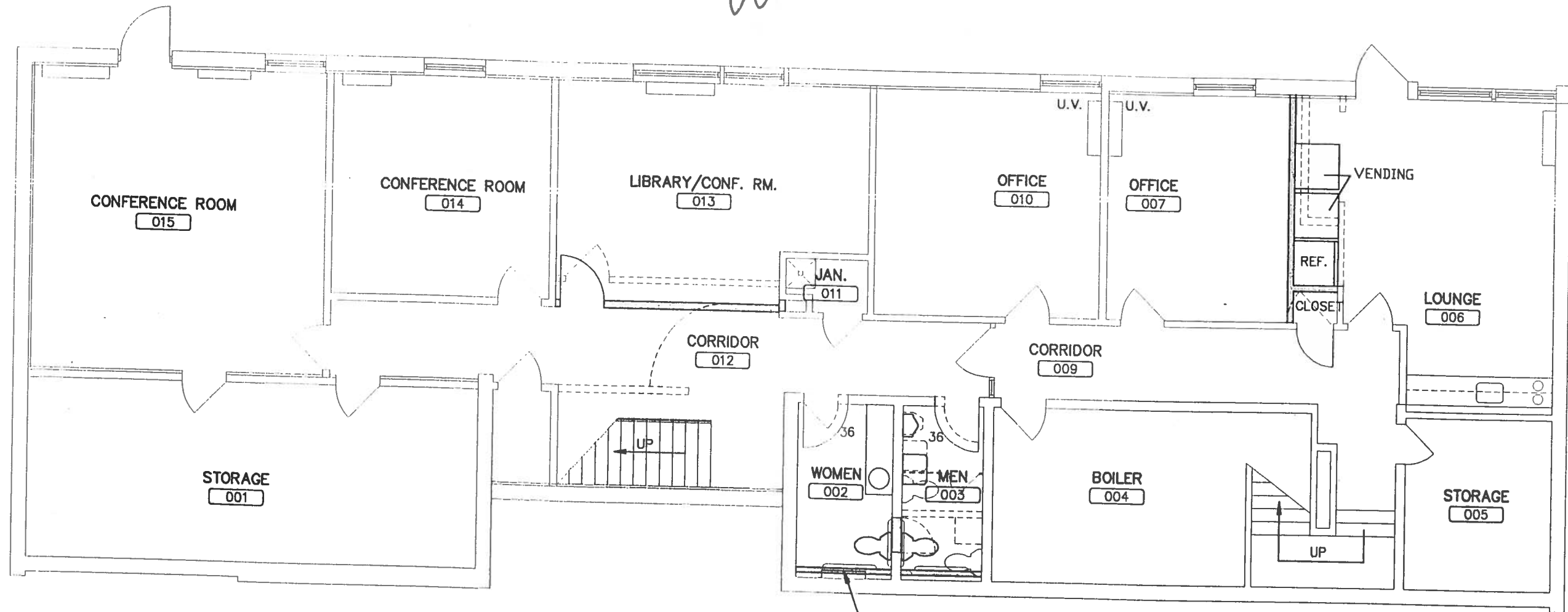
BSA
BERNERS-SCHOBER ASSOCIATES, INC
ARCHITECTS ENGINEERS

ARCHITECTS BUILDING
310 PINE STREET
GREEN BAY, WI 54301


(920) 432-4865

DATE JUNE 10, 1998
COMMISSION
4681
SHEET 2 OF 3

Approved copy 6/25/98



RAISE OR REPLACE UNIT VENTILATOR

N  **PROPOSED REMODELING:
LOWER LEVEL**
SCALE: 1/8" = 1'-0"

----- REMOVE EXISTING WALLS
===== NEW WALLS

**GREEN BAY
EDUCATION ASSOCIATION**
GREEN BAY, WISCONSIN

BSA 
BERNERS-SCHOBER ASSOCIATES, INC
ARCHITECTS ENGINEERS

ARCHITECTS BUILDING
310 PINE STREET
GREEN BAY, WI 54301

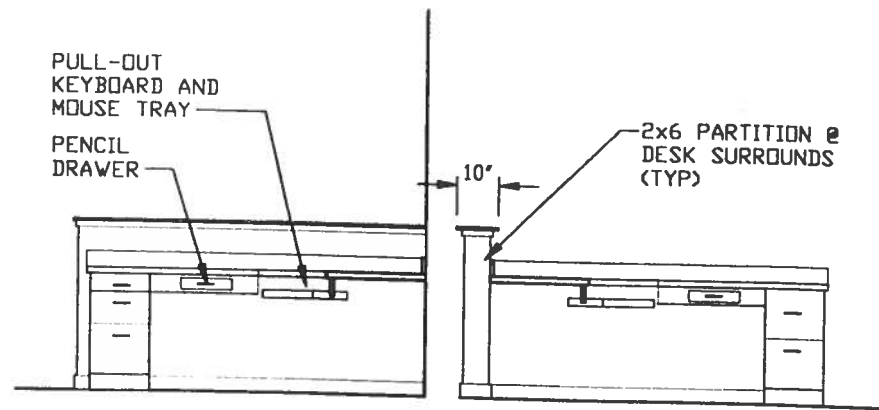
(920) 432-4865

REVISED 6/24/98
REVISED 6/18/98

DATE MAY 29, 1998
COMMISSION

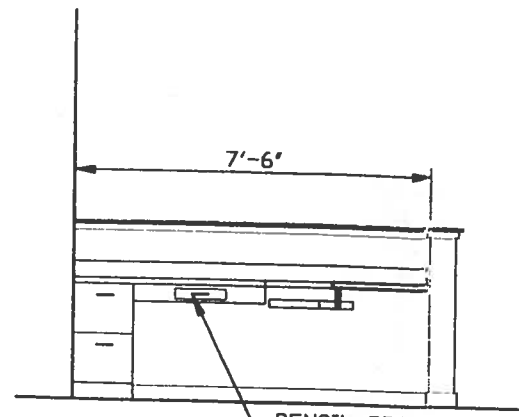
4681

SHEET 1 OF 3

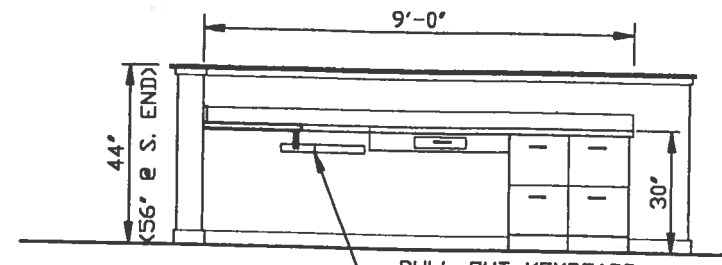


ROOM 115 LOOKING WEST

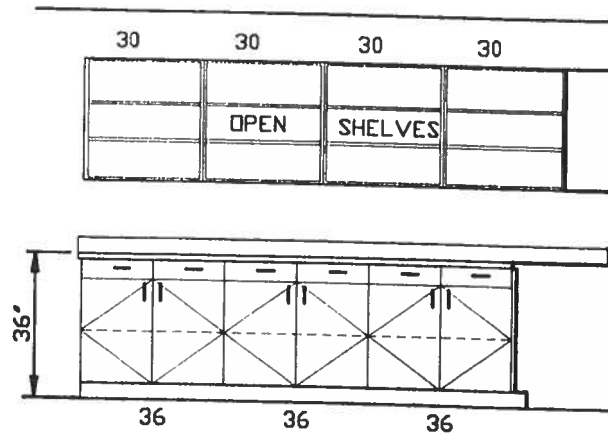
ROOM 115 LOOKING NORTH



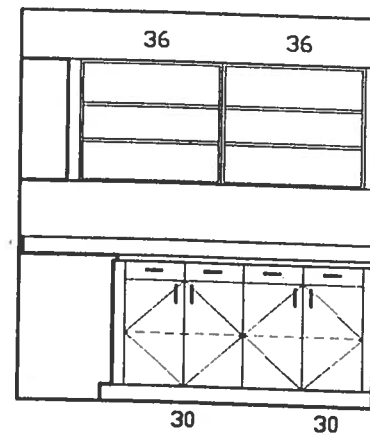
ROOM 110
NORTH END, LOOKING EAST
(SOUTH END, LOOKING SOUTH SIM., REVERSED)



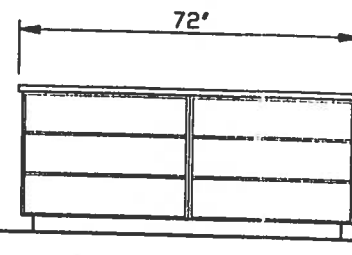
ROOM 110
NORTH END, LOOKING SOUTH
(SOUTH END, LOOKING EAST SIM., REVERSED)



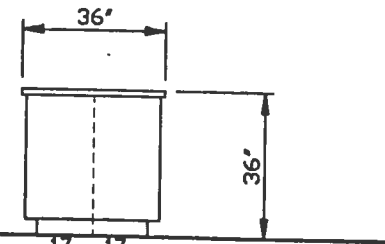
ROOM 108 LOOKING NORTH



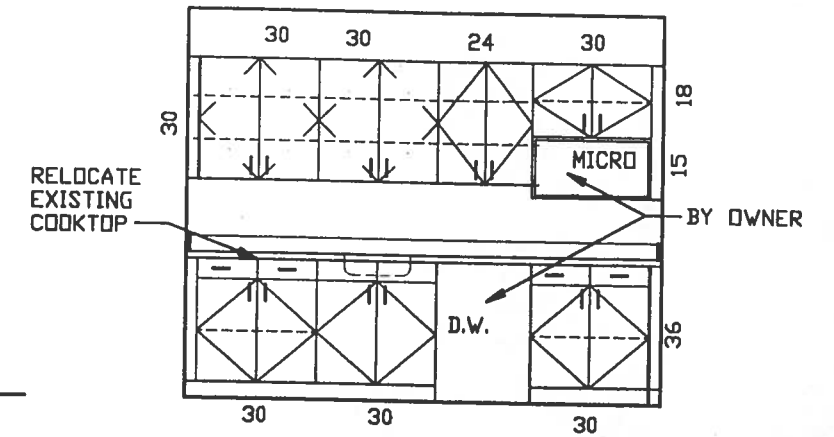
ROOM 109 LOOKING EAST



ROOM 108 ISLAND - SIDE VIEW



ROOM 108 ISLAND - END VIEW



ROOM 006 LOOKING EAST

CASEWORK ELEVATIONS

SCALE: 1/4" = 1'-0"

**GREEN BAY
EDUCATION ASSOCIATION**
GREEN BAY, WISCONSIN

BSA
BERNERS-SCHOBER ASSOCIATES, INC
ARCHITECTS ENGINEERS

ARCHITECTS BUILDING
310 PINE STREET
GREEN BAY, WI 54301

(920) 432-4865

DATE JUNE 24, 1998
COMMISSION

4681

SHEET 3 OF 3